

SPARE PARTS CATALOGUE

Pneumatic on-off valve
model: BBZP
code: BAP*****
serial: BB
period approx: from 07/2008 to...



Via G. Di Vittorio, 50-52 - 43045 FORNOVO (PR) - Italy
Tel. +39 0525 400044 - Telefax +39 0525 3408 - e-mail: bardiani@bardiani.com

Ozzago

Exclusive Agent
Mobile: +66 952823935
Mail: ozzago@ozzago.com
www.ozzago.com

(GB-RIC-BBZP-0708)

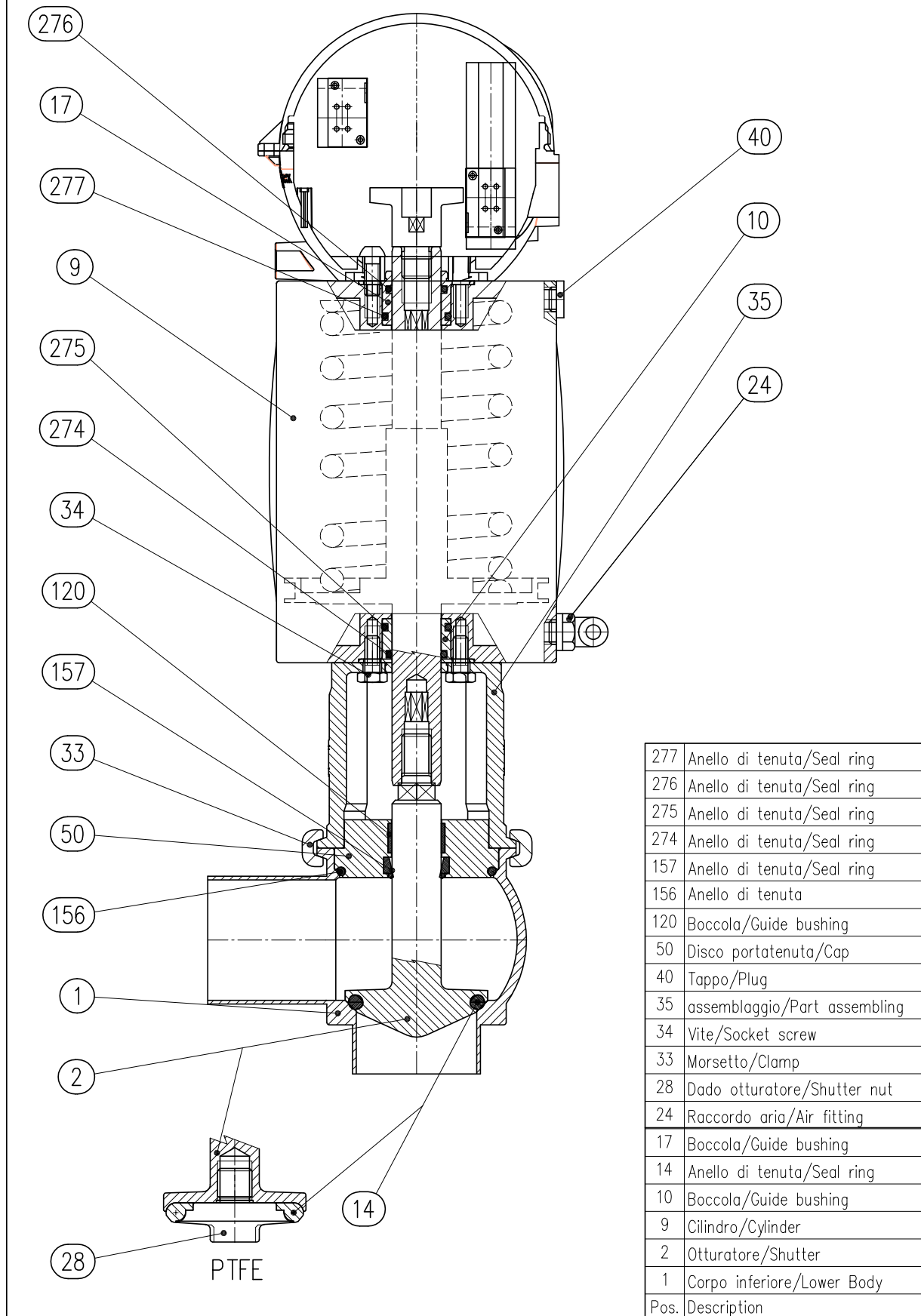
model: BBZP DN:10 - - 100

valve bodies: L-T

welding ends

gaskets material: EPDM/VIT/PTFE

actuator: SE/DA



model: BBZP DN:10 - - 100
gaskets material: EPDM/VIT/PTFE

valve bodies: L-T

welding ends
actuator: SE/DA

Pos.	Q.ty	Description	DN10	DN15	DN20	DN25-25.4	DN32	DN40-38.1
1	1	Body lower DIN "L"	TRA500010BBA	TRA500015BBA	TRA500020BBA	TRA500025BBA	TRA500032BBA	TRA500040BBA
1	1	Body lower DIN "T"	TRA600010BBA	TRA600015BBA	TRA600020BBA	TRA600025BBA	TRA600032BBA	TRA600040BBA
1	1	Body lower SMS "L"				TRA550100BBA		TRA550112BBA
1	1	Body lower SMS "T"				TRA650100BBA		TRA650112BBA
2	1	Shutter	TPA000025BBA	TPA000025BBA	TPA000025BBA	TPA000025BBA	TPA000040BBA	TPA000040BBA
2	1	Shutter for PTFE	TPA004025BBA	TPA004025BBA	TPA004025BBA	TPA004025BBA	TPA004040BBA	TPA004040BBA
9	1	Cylinder simple effect	QNC002059AAA	QNC002059AAA	QNC002059AAA	QNC002059AAA	QNC002083AAA	QNC002083AAA
9	1	Cylinder double effect	QNC003059AAA	QNC003059AAA	QNC003059AAA	QNC003059AAA	QNC003083AAA	QNC003083AAA
10	1	Guide bushing	TOJ003016PSA	TOJ003016PSA	TOJ003016PSA	TOJ003016PSA	TOJ003016PSA	TOJ003016PSA
14	1	Seal ring EPDM	TPJGM01706	TPJGM01706	TPJGM01706	TPJGM01706	TPJGM02606	TPJGM02606
14	1	Seal ring VIT	TPJGD01706	TPJGD01706	TPJGD01706	TPJGD01706	TPJGD02606	TPJGD02606
14	1	Seal ring PTFE	TPK000025TAA	TPK000025TAA	TPK000025TAA	TPK000025TAA	TPK000040TAA	TPK000040TAA
17	1	Guide bushing	TOJ003016PSA	TOJ003016PSA	TOJ003016PSA	TOJ003016PSA	TOJ003016PSA	TOJ003016PSA
24	1	Lower connection	RCSOA118	RCSOA118	RCSOA118	RCSOA118	RCSOA118	RCSOA118
28	1	Shutter nut	TPE920025BBA	TPE920025BBA	TPE920025BBA	TPE920025BBA	TPE920040BBA	TPE920040BBA
33	1	Clamp	TOH000057AAA	TOH000057AAA	TOH000057AAA	TOH000057AAA	TOH000069AAA	TOH000069AAA
34	4	Socket screw	RBDA06X16	RBDA06X16	RBDA06X16	RBDA06X16	RBDA06X16	RBDA06X16
35	1	Part assemblyng	TOA000025AAA	TOA000025AAA	TOA000025AAA	TOA000025AAA	TOA000040AAA	TOA000040AAA
40	1	Plug	RCS001PSA	RCS001PSA	RCS001PSA	RCS001PSA	RCS001PSA	RCS001PSA
50	1	Cap	TOF000025BBA	TOF000025BBA	TOF000025BBA	TOF000025BBA	TOF000040BBA	TOF000040BBA
120	1	Guide bushing	TOJ002016TAA	TOJ002016TAA	TOJ002016TAA	TOJ002016TAA	TOJ002016TAA	TOJ002016TAA
156	1	Seal ring EPDM	RAAGM4131	RAAGM4131	RAAGM4131	RAAGM4131	RAAGM149	RAAGM149
156	1	Seal ring VIT	RAAGD4131	RAAGD4131	RAAGD4131	RAAGD4131	RAAGD149	RAAGD149
157	1	Seal ring EPDM	TPGGM0161	TPGGM0161	TPGGM0161	TPGGM0161	TPGGM0161	TPGGM0161
157	1	Seal ring VIT	TPGGD0161	TPGGD0161	TPGGD0161	TPGGD0161	TPGGD0161	TPGGD0161
274	1	Seal ring	RAAGA121	RAAGA121	RAAGA121	RAAGA121	RAAGA121	RAAGA121
275	1	Seal ring	RAAGA3087	RAAGA3087	RAAGA3087	RAAGA3087	RAAGA3087	RAAGA3087
276	1	Seal ring	RAAGA121	RAAGA121	RAAGA121	RAAGA121	RAAGA121	RAAGA121
277	1	Seal ring	RAAGA3087	RAAGA3087	RAAGA3087	RAAGA3087	RAAGA3087	RAAGA3087

Pos.	Q.ty	Description	DN50-50.8	DN65-63.5	DN80-76.1	DN100-101.6
1	1	Body lower DIN "L"	TRA500050BBA	TRA500065BBA	TRA500080BBA	TRA500100BBA
1	1	Body lower DIN "T"	TRA600050BBA	TRA600065BBA	TRA600080BBA	TRA600100BBA
1	1	Body lower SMS "L"	TRA550200BBA	TRA550212BBA	TRA550300BBA	TRA500100BBA
1	1	Body lower SMS "T"	TRA650200BBA	TRA650212BBA	TRA650300BBA	TRA600100BBA
2	1	Shutter	TPA000050BBA	TPA000065BBA	TPA000080BBA	TPA000100BBA
2	1	Shutter for PTFE	TPA004050BBA	TPA004065BBA	TPA004080BBA	TPA004100BBA
9	1	Cylinder simple effect	QNC002108AAA	QNC002108AAA	QNC002134AAA	QNC002134AAA
9	1	Cylinder double effect	QNC003108AAA	QNC003108AAA	QNC003134AAA	QNC003134AAA
10	1	Guide bushing	TOJ003020PSA	TOJ003020PSA	TOJ003020PSA	TOJ003020PSA
14	1	Seal ring EPDM	TPJGM03806	TPJGM05706	TPJGM07006	TPJGM08606
14	1	Seal ring VIT	TPJGD03806	TPJGD05706	TPJGD07006	TPJGD08606
14	1	Seal ring PTFE	TPK000050TAA	TPK000065TAA	TPK000080TAA	TPK000100TAA
17	1	Guide bushing	TOJ003020PSA	TOJ003020PSA	TOJ003020PSA	TOJ003020PSA
24	1	Lower connection	RCSOA118	RCSOA118	RCSOA118	RCSOA118
28	1	Shutter nut	TPE920050BBA	TPE920065BBA	TPE920080BBA	TPE920100BBA
33	1	Clamp	TOH000081AAA	TOH000098AAA	TOH000113AAA	TOH000129AAA
34	4	Socket screw	RBAAA06X16	RBAAA06X16	RBAAA06X16	RBAAA06X16
35	1	Part assemblyng	TOA000050AAA	TOA000065AAA	TOA000080AAA	TOA000100AAA
40	1	Plug	RCS001PSA	RCS001PSA	RCS001PSA	RCS001PSA
50	1	Cap	TOF000050BBA	TOF000065BBA	TOF000080BBA	TOF000100BBA
120	1	Guide bushing	TOJ002020TAA	TOJ002020TAA	TOJ002020TAA	TOJ002020TAA
156	1	Seal ring EPDM	RAAGM4225	RAAGM177	RAAGM4350	RAAGM4412
156	1	Seal ring VIT	RAAGD4225	RAAGD177	RAAGD4350	RAAGD4412
157	1	Seal ring EPDM	TPGGM0201	TPGGM0201	TPGGM0201	TPGGM0201
157	1	Seal ring VIT	TPGGD0201	TPGGD0201	TPGGD0201	TPGGD0201
274	1	Seal ring	RAAGA3081	RAAGA3081	RAAGA3081	RAAGA3081
275	1	Seal ring	RAAGA3087	RAAGA3087	RAAGA3087	RAAGA3087
276	1	Seal ring	RAAGA3081	RAAGA3081	RAAGA3081	RAAGA3081
277	1	Seal ring	RAAGA3087	RAAGA3087	RAAGA3087	RAAGA3087

model: BBZP DN:10 - - 100 valve bodies: L-T
gaskets material: EPDM/VIT/PTFE

welding ends
actuator: SE/DA

	DN10 - - 25	DN32 - - 40	DN50 - 50.8	DN65 - 63.5
Service KIT wetted part EPDM	TTABAP025E	TTABAP040E	TTABAP050E	TTABAP065E
Service KIT wetted part VIT	TTABAP025V	TTABAP040V	TTABAP050V	TTABAP065V
Service KIT wetted part PTFE	TTABAP025P	TTABAP040P	TTABAP050P	TTABAP065P
Position	14 - 156 - 157			

Cylinder service KIT NBR	TTEBAP083G	TTEBAP083G	TTEBAP134G	TTEBAP134G
Position	10 - 17 - 274 - 275 - 276 - 277			

Shutter + Seal ring EPDM	QPA000025BBAE	QPA000040BBAE	QPA000050BBAE	QPA000065BBAE
Shutter + Seal ring VIT	QPA000025BBAV	QPA000040BBAV	QPA000050BBAV	QPA000065BBAV
Position	2 - 14			
Shutter + Seal ring PTFE	QPA004025BBAP	QPA004040BBAP	QPA004050BBAP	QPA004065BBAP
Position	2 - 14 - 28			

Complete cylinder S.A.	QNC002059AAA00	QNC002083AAA00	QNC002108AAA00	QNC002108AAA00
Position	8 - 9 - 10 - 17 - 24 - 34 - 40 - 274 - 275 - 276 - 277			
Complete cylinder D.A.	QNC003059AAA00	QNC003083AAA00	QNC003108AAA00	QNC003108AAA00
Complete cylinder D.A. + spring	QNC002059AAA01	QNC002083AAA01	QNC002108AAA01	QNC002108AAA01
Position	8 - 9 - 10 - 17 - 24 - 34 - 274 - 275 - 276 - 277			

	DN80 - 76.1	DN100 - 101.6
Service KIT wetted part EPDM	TTABAP080E	TTABAP100E
Service KIT wetted part VIT	TTABAP080V	TTABAP100V
Service KIT wetted part PTFE	TTABAP080P	TTABAP100P
Position	14 - 156 - 157	

Cylinder service KIT NBR	TTEBAP134G	TTEBAP134G
Position	10 - 17 - 274 - 275 - 276 - 277	

Shutter + Seal ring EPDM	QPA000080BBAE	QPA000100BBAE
Shutter + Seal ring VIT	QPA000080BBAV	QPA000100BBAV
Position	2 - 14	
Shutter + Seal ring PTFE	QPA004080BBAP	QPA004100BBAP
Position	2 - 14 - 28	

Complete cylinder S.A.	QNC002134AAA00	QNC002134AAA00
Position	8 - 9 - 10 - 17 - 24 - 34 - 40 - 274 - 275 - 276 - 277	
Complete cylinder D.A.	QNC003134AAA00	QNC003134AAA00
Complete cylinder D.A. + spring	QNC002134AAA01	QNC002134AAA01
Position	8 - 9 - 10 - 17 - 24 - 34 - 274 - 275 - 276 - 277	

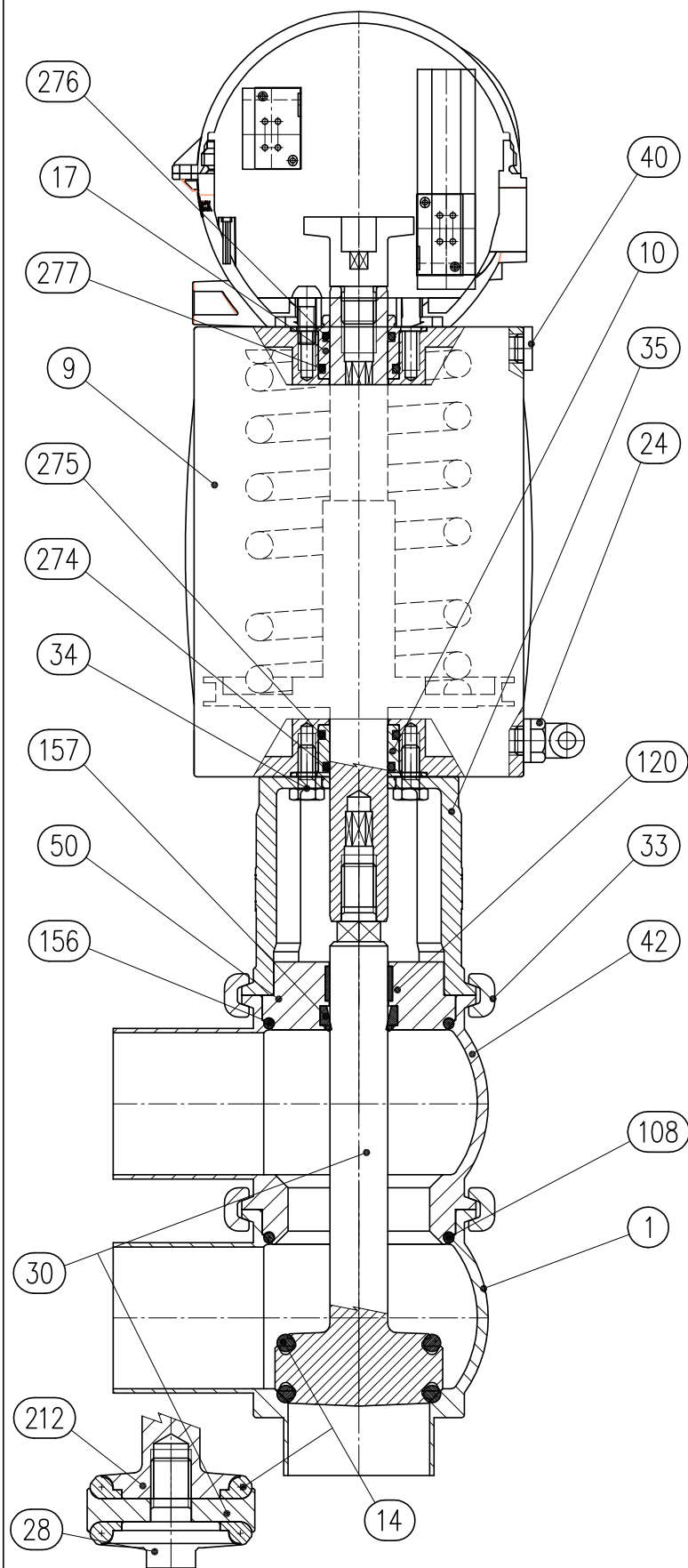
model: BBZP DN:10 - - 100

valve bodies: LL-TT-LT-TL

welding ends

gaskets material: EPDM/VIT/PTFE

actuator: SE/DA



277	Anello di tenuta/Seal ring
276	Anello di tenuta/Seal ring
275	Anello di tenuta/Seal ring
274	Anello di tenuta/Seal ring
212	Stelo doppio otturatore/Steam double shutter
157	Anello di tenuta/Seal ring
156	Anello di tenuta/Seal ring
120	Boccola/Guide bushing
108	Anello di tenuta/Seal ring
50	Disco portatenuta/Cap
42	Corpo superiore/Upper body
40	Tappo/Plug
35	assemblaggio/Part assembling
34	Vite/Socket screw
33	Morsetto/Clamp
30	Doppio otturatore/Double shutter
28	Dado otturatore/Shutter nut
24	Raccordo aria/Air fitting
17	Boccola/Guide bushing
14	Anello di tenuta/Seal ring
10	Boccola/Guide bushing
9	Cilindro/Cylinder
1	Corpo inferiore/Lower Body
Pos.	Description

model: BBZP DN:10 - - 100

valve bodies: LL-TT-LT-TL

welding ends

gaskets material: EPDM/VIT/PTFE

actuator: SE/DA

Pos.	Q.ty	Description	DN10	DN15	DN20	DN25	DN32	DN40-38.1
1	1	Body lower DIN "L"	TRA500010BBA	TRA500015BBA	TRA500020BBA	TRA500025BBA	TRA500032BBA	TRA500040BBA
1	1	Body lower DIN "T"	TRA600010BBA	TRA600015BBA	TRA600020BBA	TRA600025BBA	TRA600032BBA	TRA600040BBA
1	1	Body lower SMS "L"				TRA550100BBA		TRA550112BBA
1	1	Body lower SMS "T"				TRA650100BBA		TRA650112BBA
9	1	Cylinder simply effect	QNC002059AAA	QNC002059AAA	QNC002059AAA	QNC002059AAA	QNC002083AAA	QNC002083AAA
9	1	Cylinder double effect	QNC003059AAA	QNC003059AAA	QNC003059AAA	QNC003059AAA	QNC003083AAA	QNC003083AAA
14	2	Seal ring EPDM	TPJGM01706	TPJGM01706	TPJGM01706	TPJGM01706	TPJGM02606	TPJGM02606
14	2	Seal ring VIT	TPJGD01706	TPJGD01706	TPJGD01706	TPJGD01706	TPJGD02606	TPJGD02606
14	2	Seal ring PTFE	TPK000025TAA	TPK000025TAA	TPK000025TAA	TPK000025TAA	TPK000040TAA	TPK000040TAA
17	1	Guide bushing	TOJ003016PSA	TOJ003016PSA	TOJ003016PSA	TOJ003016PSA	TOJ003016PSA	TOJ003016PSA
24	1	Lower connection	RCSOA118	RCSOA118	RCSOA118	RCSOA118	RCSOA118	RCSOA118
28	1	Shutter nut	TPE920025BBA	TPE920025BBA	TPE920025BBA	TPE920025BBA	TPE920040BBA	TPE920040BBA
30	1	Double shutter	TPC000025BBA	TPC000025BBA	TPC000025BBA	TPC000025BBA	TPC000040BBA	TPC000040BBA
30	1	Double shutter for PTFE	TPC004025BBA	TPC004025BBA	TPC004025BBA	TPC004025BBA	TPC004040BBA	TPC004040BBA
33	2	Clamp	TOH000057AAA	TOH000057AAA	TOH000057AAA	TOH000057AAA	TOH000069AAA	TOH000069AAA
34	4	Socket screw	RBDA06X16	RBDA06X16	RBDA06X16	RBDA06X16	RBDA06X16	RBDA06X16
35	1	Part assebling	TOA000025AAA	TOA000025AAA	TOA000025AAA	TOA000025AAA	TOA000040AAA	TOA000040AAA
40	1	Plug	RCS001PSA	RCS001PSA	RCS001PSA	RCS001PSA	RCS001PSA	RCS001PSA
42	1	Body upper DIN "L"	TRE500010BBA	TRE500015BBA	TRE500020BBA	TRE500025BBA	TRE500032BBA	TRE500040BBA
42	1	Body upper DIN "T"	TRE600010BBA	TRE600015BBA	TRE600020BBA	TRE600025BBA	TRE600032BBA	TRE600040BBA
42	1	Body upper SMS "L"				TRE550100BBA		TRE550112BBA
42	1	Body upper SMS "T"				TRE650100BBA		TRE650112BBA
50	1	Cap	TOF000025BBA	TOF000025BBA	TOF000025BBA	TOF000025BBA	TOF000040BBA	TOF000040BBA
108	1	Seal ring EPDM	RAAGM4131	RAAGM4131	RAAGM4131	RAAGM4131	RAAGM149	RAAGM149
108	1	Seal ring VIT	RAAGD4131	RAAGD4131	RAAGD4131	RAAGD4131	RAAGD149	RAAGD149
120	1	Guide bushing	TOJ002016TAA	TOJ002016TAA	TOJ002016TAA	TOJ002016TAA	TOJ002016TAA	TOJ002016TAA
156	1	Seal ring EPDM	RAAGM4131	RAAGM4131	RAAGM4131	RAAGM4131	RAAGM149	RAAGM149
156	1	Seal ring VIT	RAAGD4131	RAAGD4131	RAAGD4131	RAAGD4131	RAAGD149	RAAGD149
157	1	Seal ring EPDM	TPGGM0161	TPGGM0161	TPGGM0161	TPGGM0161	TPGGM0161	TPGGM0161
157	1	Seal ring VIT	TPGGD0161	TPGGD0161	TPGGD0161	TPGGD0161	TPGGD0161	TPGGD0161
212	1	Steam double shutter	TPE000025BBA	TPE000025BBA	TPE000025BBA	TPE000025BBA	TPE000040BBA	TPE000040BBA
274	1	Seal ring	RAAGA121	RAAGA121	RAAGA121	RAAGA121	RAAGA121	RAAGA121
275	1	Seal ring	RAAGA3087	RAAGA3087	RAAGA3087	RAAGA3087	RAAGA3087	RAAGA3087
276	1	Seal ring	RAAGA121	RAAGA121	RAAGA121	RAAGA121	RAAGA121	RAAGA121
277	1	Seal ring	RAAGA3087	RAAGA3087	RAAGA3087	RAAGA3087	RAAGA3087	RAAGA3087

Pos.	Q.ty	Description	DN50-50.8	DN65-63.5	DN80-76.1	DN100-101.6
1	1	Body lower DIN "L"	TRA500050BBA	TRA500065BBA	TRA500080BBA	TRA500100BBA
1	1	Body lower DIN "T"	TRA600050BBA	TRA600065BBA	TRA600080BBA	TRA600100BBA
1	1	Body lower SMS "L"	TRA550200BBA	TRA550212BBA	TRA550300BBA	TRA500100BBA
1	1	Body lower SMS "T"	TRA650200BBA	TRA650212BBA	TRA650300BBA	TRA600100BBA
9	1	Cylinder simply effect	QNC002108AAA	QNC002108AAA	QNC002134AAA	QNC002134AAA
9	1	Cylinder double effect	QNC003108AAA	QNC003108AAA	QNC003134AAA	QNC003134AAA
14	2	Seal ring EPDM	TPJGM03806	TPJGM05706	TPJGM07006	TPJGM08606
14	2	Seal ring VIT	TPJGD03806	TPJGD05706	TPJGD07006	TPJGD08606
14	2	Seal ring PTFE	TPK000050TAA	TPK000065TAA	TPK000080TAA	TPK000100TAA
17	1	Guide bushing	TOJ003020PSA	TOJ003020PSA	TOJ003020PSA	TOJ003020PSA
24	1	Lower connection	RCSOA118	RCSOA118	RCSOA118	RCSOA118
28	1	Shutter nut	TPE920050BBA	TPE921065BBA	TPE920080BBA	TPE920100BBA
30	1	Double shutter	TPC000050BBA	TPC000065BBA	TPC000080BBA	TPC000100BBA
30	1	Double shutter for PTFE	TPC004050BBA	TPC004065BBA	TPC004080BBA	TPC004100BBA
33	2	Clamp	TOH000081AAA	TOH000098AAA	TOH000113AAA	TOH000129AAA
34	4	Socket screw	RBAAA06X16	RBAAA06X16	RBAAA06X16	RBAAA06X16
35	1	Part assebling	TOA000050AAA	TOA000065AAA	TOA000080AAA	TOA000100AAA
40	1	Plug	RCS001PSA	RCS001PSA	RCS001PSA	RCS001PSA
42	1	Body upper DIN "L"	TRE500050BBA	TRE500065BBA	TRE500080BBA	TRE500100BBA
42	1	Body upper DIN "T"	TRE600050BBA	TRE600065BBA	TRE600080BBA	TRE600100BBA
42	1	Body upper SMS "L"	TRE550200BBA	TRE550212BBA	TRE550300BBA	TRE500100BBA
42	1	Body upper SMS "T"	TRE650200BBA	TRE650212BBA	TRE650300BBA	TRE600100BBA
50	1	Cap	TOF000050BBA	TOF000065BBA	TOF000080BBA	TOF000100BBA
108	1	Seal ring EPDM	RAAGM4225	RAAGM177	RAAGM4350	RAAGM4412
108	1	Seal ring VIT	RAAGD4225	RAAGD177	RAAGD4350	RAAGD4412
120	1	Guide bushing	TOJ002020TAA	TOJ002020TAA	TOJ002020TAA	TOJ002020TAA
156	1	Seal ring EPDM	RAAGM4225	RAAGM177	RAAGM4350	RAAGM4412
156	1	Seal ring VIT	RAAGD4225	RAAGD177	RAAGD4350	RAAGD4412
157	1	Seal ring EPDM	TPGGM0201	TPGGM0201	TPGGM0201	TPGGM0201
157	1	Seal ring VIT	TPGGD0201	TPGGD0201	TPGGD0201	TPGGD0201
212	1	Steam double shutter	TPE000050BBA	TPE000065BBA	TPE000080BBA	TPE000100BBA
274	1	Seal ring	RAAGA3081	RAAGA3081	RAAGA3081	RAAGA3081
275	1	Seal ring	RAAGA3087	RAAGA3087	RAAGA3087	RAAGA3087
276	1	Seal ring	RAAGA3081	RAAGA3081	RAAGA3081	RAAGA3081
277	1	Seal ring	RAAGA3087	RAAGA3087	RAAGA3087	RAAGA3087

model: BBZP DN:10 - - 100**valve bodies: LL-TT-LT-TL****welding ends****gaskets material: EPDM/VIT/PTFE****actuator: SE/DA**

	DN10 - - 25	DN32 - - 40	DN50 - 50.8	DN65 - 63.5
Service KIT wetted part EPDM	TTCBAP025E	TTCBAP040E	TTCBAP050E	TTCBAP065E
Service KIT wetted part VIT	TTCBAP025V	TTCBAP040V	TTCBAP050V	TTCBAP065V
Service KIT wetted part PTFE	TTCBAP025P	TTCBAP040P	TTCBAP050P	TTCBAP065P
Position	14 - 108 - 156 - 157			

Cylinder service KIT NBR	TTEBAP083G	TTEBAP083G	TTEBAP134G	TTEBAP134G
Position	10 - 17 - 274 - 275 - 276 - 277			

Double shutter + Seal ring EPDM	QPC000025BBAE	QPC000040BBAE	QPC000050BBAE	QPC000065BBAE
Double shutter + Seal ring VIT	QPC000025BBAV	QPC000040BBAV	QPC000050BBAV	QPC000065BBAV
Position	14 - 30			
Double shutter + Seal ring PTFE	QPE000025BBAP	QPE000040BBAP	QPE000050BBAP	QPE000065BBAP
Position	14 - 28 - 30 - 212			

Complete cylinder S.A	QNC002059AAA00	QNC002083AAA00	QNC002108AAA00	QNC002108AAA00
Position	8 - 9 - 10 - 17 - 24 - 34 - 40 - 274 - 275 - 276 - 277			
Complete cylinder D.A.	QNC003059AAA00	QNC003083AAA00	QNC003108AAA00	QNC003108AAA00
Complete cylinder D.A. + spring	QNC002059AAA01	QNC002083AAA01	QNC002108AAA01	QNC002108AAA01
Position	8 - 9 - 10 - 17 - 24 - 34 - 274 - 275 - 276 - 277			

	DN80 - 76.1	DN100 - 101.6
Service KIT wetted part EPDM	TTCBAP080E	TTCBAP100E
Service KIT wetted part VIT	TTCBAP080V	TTCBAP100V
Service KIT wetted part PTFE	TTCBAP080P	TTCBAP100P
Position	14 - 108 - 156 - 157	

Cylinder service KIT NBR	TTEBAP134G	TTEBAP134G
Position	10 - 17 - 274 - 275 - 276 - 277	

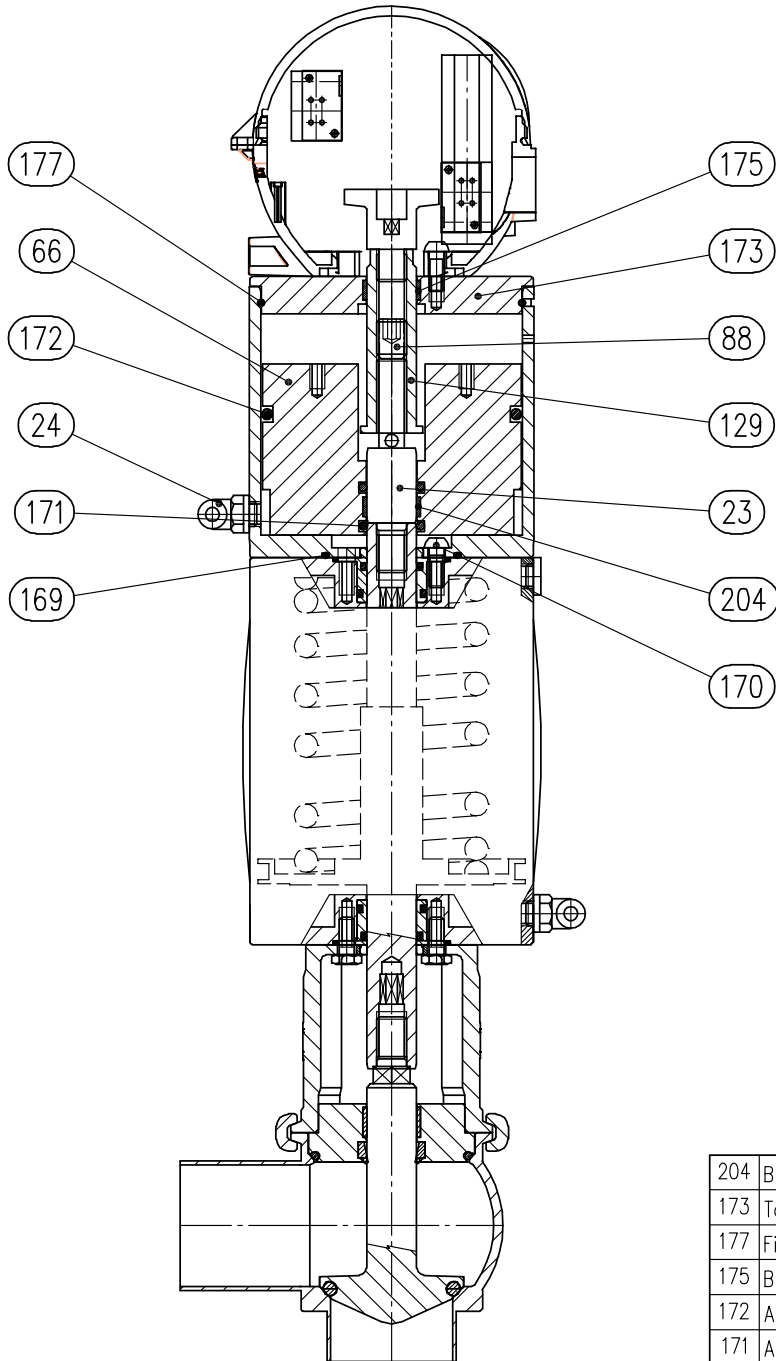
Double shutter + Seal ring EPDM	QPC000080BBAE	QPC000100BBAE
Double shutter + Seal ring VIT	QPC000080BBAV	QPC000100BBAV
Position	14 - 30	
Double shutter + Seal ring PTFE	QPE000080BBAP	QPE000100BBAP
Position	14 - 28 - 30 - 212	

Complete cylinder S.A	QNC002134AAA00	QNC002134AAA00
Position	8 - 9 - 10 - 17 - 24 - 34 - 40 - 274 - 275 - 276 - 277	
Complete cylinder D.A.	QNC003134AAA00	QNC003134AAA00
Complete cylinder D.A. + spring	QNC002134AAA01	QNC002134AAA01
Position	8 - 9 - 10 - 17 - 24 - 34 - 274 - 275 - 276 - 277	

model: BBZT DN:10 - - 100
 gaskets material: EPDM/VIT/PTFE

valve bodies: L-T-LL-TT-LT-TL
 CYL.83 - - 134

welding ends
 actuator: SE/DA



204	Boccola/Guide bushing
173	Tampone/Stopper cylinder
177	Filo elastico/Snap ring
175	Boccola/Guide bushing
172	Anello di tenuta/Seal ring
171	Anello di tenuta/Seal ring
170	Vite/Socket screw
169	Anello di tenuta/Seal ring
129	Perno/Pivot
88	Grano/grub screw
66	Pistone/Piston
24	Raccordo aria/Air fitting
23	Perno superiore/Upper pivot
Pos.	Description

model: BBZT DN:10 - - 100**valve bodies: L-T-LL-TT-LT-TL****welding ends****gaskets material: EPDM/VIT/PTFE****CYL.83 - - 134****actuator: SE/DA**

Pos.	Q.ty	Description	CYL.83 DN10 - - 40	CYL.105 DN50 - - 65	CYL.134 DN80 - - 100
23	1	Upper pivot	TNG005083AAA	TNG005105AAA	TNG005105AAA
24	1	Lower connection	RCSOA118	RCSOA118	RCSOA118
66	1	Piston	TNE005083LAA	TNE005105LAA	TNE005134LAA
88	1	Grub screw	RBFAA12X15	RBFAA12X15	RBFAA12X15
99	1	Cylinder	TNC005083AAA	TNC005105AAA	TNC005134AAA
129	1	Pivot	TNG006105AAA	TNG006105AAA	TNG006105AAA
169	1	Seal ring	RAAGA3200	RAAGA3200	RAAGA3200
170	2	Socket screw	RBBAA06X16	RBBAA06X16	RBBAA06X16
171	2	Seal ring	RAAGA121	RAAGA4081	RAAGA4081
172	1	Seal ring	RAAGA6287	RAAGA6337	RAAGA201
173	1	Stopper cylinder	TNA005083AAA	TNA005105AAA	TNA005134AAA
175	1	Guide bushing	TOJTE020151	TOJTE020151	TOJTE020151
177	1	Snap ring	TNMFZ08325	TNMFZ10525	TNMFZ13030
204	1	Guide bushing	TOJTE01615	TOJTE020151	TOJTE020151

	CYL.83 DN10 - - 40	CYL.105 DN50 - - 65	CYL.134 DN80 - - 100
Cylinder service KIT NBR	TTEBAP083G1	TTEBAP105G1	TTEBAP134G1
Position	169 - 171 - 172		

Disclaimer

1. All the statements, indications and technical data listed in this document are based on technical tests carried out by Bardiani Valvole S.p.A.. However accurate and reliable, such tests do not reflect all possible circumstances under which the products may be used. It is therefore advisable that the Buyer should always ascertain the suitability of the product in its application. The Buyer will be entirely liable for all risks and damages incurred by said products. Bardiani Valvole S.p.A. are not liable for any accident, loss or damage incurred, whether they be directly or indirectly caused by the use or misuse of the products. No further guarantees other than those stated in this document shall be granted.
2. All our customers are advised to consult our technicians as well as our offices who will supply all information pertaining the technical characteristics of our products.
3. The pictures contained in this document are intended to be general representations. They are not to be intended either legally binding or detailed representations of our products.
4. Bardiani Valvole S.p.A. reserve the right at any time and with no further notice to amend and up-date the technical data, designs and the information contained in this document.
5. The data and statements listed in this document only refer to our standard products. They do not apply in any case to any tailor-made products that might have been purchased by the customers.
6. Bardiani Valvole S.p.A. are not liable for any defects or faults resulting from the incorrect installation of their products. Such installation is to be carried out in full compliance with the instructions contained in the "Manual of Instructions for the Use and Maintenance of the Product". Bardiani Valvole S.p.A. are not liable for any defects or faults resulting from the incorrect use of their products.
7. Bardiani Valvole S.p.A. are not liable for any defects or faults resulting from the incorrect transportation and/or incorrect storage and/or incorrect maintenance of their products.
8. Bardiani Valvole S.p.A. cannot accept any liability for any faults or damages deriving from mishandling of the products and/or interventions carried out by unqualified personnel. No liability is accepted for damages caused by hits, dents, carelessness, negligence or any other any acts that cannot be considered as construction faults or faults related to the materials used in production.



Exclusive Agent
Mobile: +66 952823935
Mail: ozzago@ozzago.com
www.ozzago.com